

# LIDSAVER™ Change-out Instructions

The following instructions are intended to assist in the conversion of the original factory lid setting to dispense your new lid.

## Necessary Tools

- Pager adjustment template (provided)
- Replacement lid claws “A” and “B” side (provided)
- Replacement “Lid plate” (provided)
- Standard screwdriver
- #2 Standard Phillips screwdriver
- Provided security Torx wrench

## NOTE:

Be absolutely sure the manufacturing and model number of the “pager adjustment template” and the “lid claws” match the new cup-lid to be dispensed.

To facilitate hands free installation a heavy object such as a wrench or pliers can be rested on the open door to eliminate the need to hold the door open during the change-out procedure.

## Installation Instructions Steps

1. Using the standard screwdriver, remove the nylon screws from the current “lid claws” “side A” and “B” from inside the door (figure 1).
2. Using the Phillips screwdriver, remove the four “housing screws” (figure 1)
3. Remove the “housing” by pulling forward and allow the housing to flex around the side edges of the open door (figure 2).
4. If a replacement “lid plate” is in your change out kit remove the original using the Phillips screwdriver. However, do not remove the “lid plate” if no replacement was included in your change out kit (figure 3).

5. Using the Torx wrench, loosen each of the four (4) “pagers” and slide to the outer most position (figure 3). This step can also be performed with the door in the closed position.

6. With the door in the open position, locate the “pager adjustment template” around the three (3) “pager template posts” (figure 3).

7. Slide each of the “pagers” inward until each gently contacts the “pager adjustment template”. Firmly tighten each “pager” in this position (figure 3). Remove the “pager adjustment” template once the “pagers” have been tightened by tipping the “pager adjustment template” forward or backward to clear the forward portions of the “pagers”

8. Install the replacement “lid plate” as shown in figure three.

9. Re-install the “LidSaver™ housing” as depicted in steps 1 and 2

10. Using the standard #2 standard screwdriver install the provided replacement “claws”. Position “claw A” on the left and “claw B” on the right with the letters facing forward (figure 1). Both “claws A and B” must pivot freely to perform correctly. If either claw does not pivot freely, loosen the nylon screws 1/4 to 1/8 turn.

11. Partially load the LidSaver™ to near empty with the new lids that match the newly installed “claws” and new “pager” settings and dispense a few. Then, fully load the LidSaver™ and repeat dispensing to confirm proper operation.

## FINAL NOTE:

To insure proper operation do not overfill the LidSaver™.

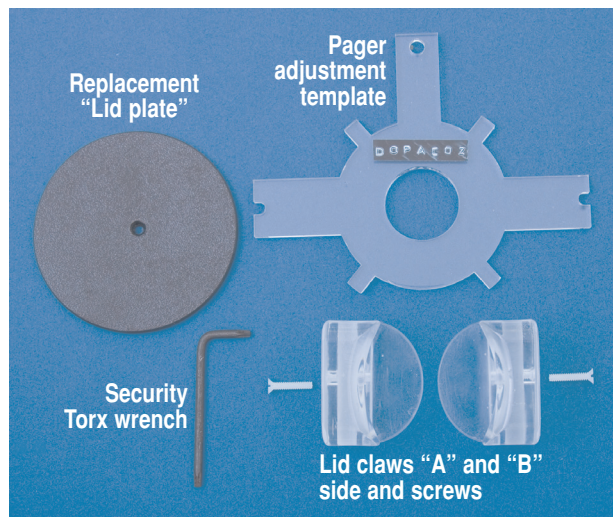


Figure 1

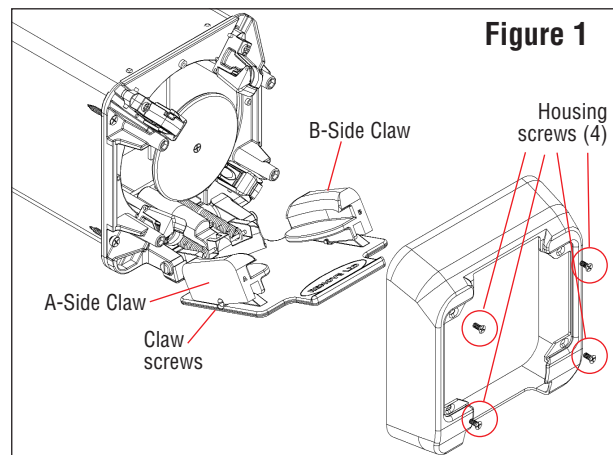


Figure 2

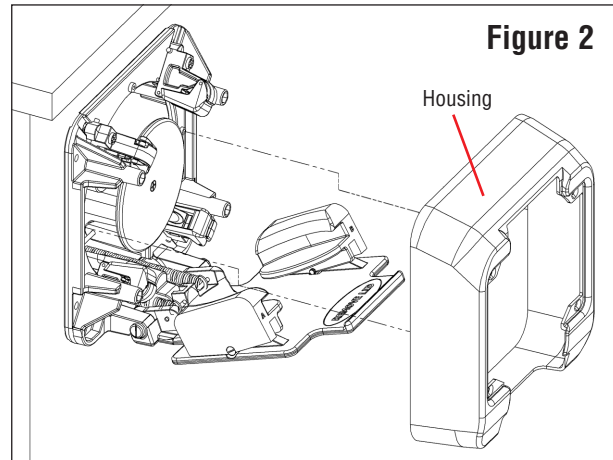
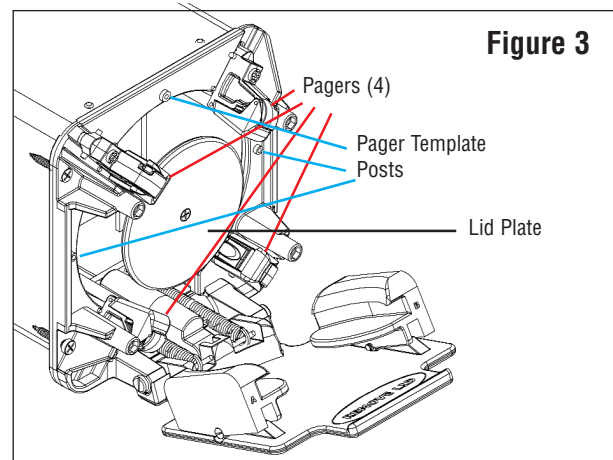


Figure 3



# ACRY FAB®

584 Progress Way  
Sun Prairie, WI 53590  
Tel: (608) 837-0045  
Fax: (608) 837-1031

Toll Free: (800) 747-2279  
E-Mail: [info@acryfab.com](mailto:info@acryfab.com)  
Web: [www.lidsaver.com](http://www.lidsaver.com)